

A modern conference room with glass walls and black chairs. The room is brightly lit with several pendant lights hanging from the ceiling. The glass walls are framed in black, and the chairs are arranged around a dark wooden table. The overall aesthetic is clean and professional.

ZONA™

GLASS WALL SYSTEMS

CUSTOMIZED FUNCTION
AESTHETIC CONSISTENCY



ZONA™ GLASS WALL SYSTEMS

CUSTOMIZED FUNCTION
AESTHETIC CONSISTENCY

DESIGN Flexibility often compromises aesthetic consistency. ZONA Glass Wall Systems make it possible to customize function while maintaining aesthetic integrity. Whether your concerns are layout flexibility, acoustics, code compliance, or multifunction spaces, ZONA walls are consistently 1 ½” high, making it possible to maintain alignment throughout the space. With four distinct profiles and a series of smartly engineered hardware, ZONA eliminates the conflict between flexibility and aesthetics.

BUILD While honoring our commitment to the communities we live in and the planet we share, all our frames are manufactured and installed locally by skilled union labor using material of the highest grade and recycled content.

ZONA profiles are extruded with substantial 3/16" thick walls of hardened 6063-T5 Architectural Aluminum Alloy. That's 50% thicker than the standard 1/8" thickness of our competitors. This provides high tensile properties and excellent finishing characteristics. Smartly engineered to distribute loads and by incorporating internal steel bracing at all stress points, **ZONA** profiles have the highest rigidity in the market... while keeping a slender 1 1/2" profile.

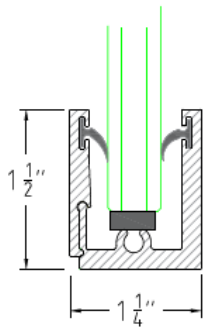
Extruded, manufactured, and inventoried locally, our lead times will meet your project needs. **ZONA** systems are built to last by skilled union Labor and installed by trained union installers.

All our products are made in the US and backed with a **5 year** warranty.



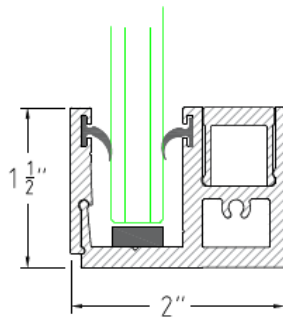
ZONA™ Glass wall systems

PROFILES



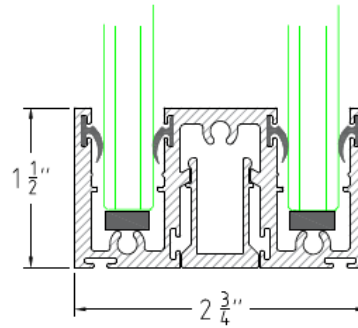
ZONA 1

- ✓ SWING OR SLIDING DOORS
- ✓ TELESCOPIC / RETRACTING
- ✓ SINGLE GLAZED (STC 34 - 38)
- ✓ GLASS THICKNESS 3/8" TO 5/8"
- ✓ UP TO 10 FT HIGH
- ✓ VERTICAL & HORIZONTAL SASH
- ✓ ADA COMPLIANT DOOR FRAME
- ✓ SECURED ENTRY DOORS



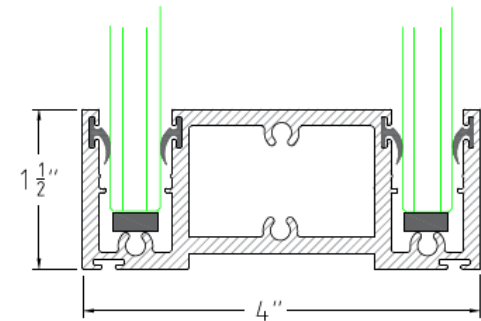
ZONA 2

- ✓ SWING OR SLIDING DOORS
- ✓ TELESCOPIC / RETRACTING
- ✓ SINGLE GLAZED (STC 35 - 38)
- ✓ GLASS THICKNESS 3/8" TO 5/8"
- ✓ UP TO 10 FT HIGH
- ✓ VERTICAL & HORIZONTAL SASH
- ✓ ADA COMPLIANT DOOR FRAME
- ✓ SECURED ENTRY DOORS



ZONA 3

- ✓ ACOUSTIC PANEL OPTION
- ✓ TELESCOPIC / RETRACTING
- ✓ SINGLE OR DOUBLE GLAZED
- ✓ SINGLE OR DOUBLE (STC 36 - 40)
- ✓ GLASS THICKNESS 3/8" TO 1/2"
- ✓ UP TO 10 FT HIGH
- ✓ VERTICAL DIVIDERS
- ✓ ADA COMPLIANT DOOR FRAME



ZONA 4

- ✓ ACOUSTIC PANELS
- ✓ VARIABLE WIDTH
- ✓ TELESCOPIC / RETRACTING
- ✓ DOUBLE GLAZED (STC 45 - 51)
- ✓ GLASS THICKNESS 3/8" & 1/2"
- ✓ UP TO 10 FT HIGH
- ✓ VERTICAL DIVIDERS
- ✓ ADA COMPLIANT DOOR FRAME

ZONA™ Glass wall systems

GLASS LOADING OPTIONS



ZONA 1

SLIM SINGLE GLAZED UP
TO 5/8" THICK GLASS

ZONA 2

STANDARD SINGLE GLAZED
FRONT FLUSHED GLASS
UP TO 5/8" THICK

ZONA 3**

WIDE SINGLE GLAZED
FRONT FLUSHED GLASS
UP TO 1/2" THICK

ZONA 3

WIDE DOUBLE GLAZED
1/2" + 3/8" GLASS

ZONA 4

VARIABLE DOUBLE GLAZED
WIDTHS FROM 3 1/2" TO 5"
1/2" + 1/2" GLASS

**

ZONA 3 can be installed as Single Glazed and upgraded to Double Glazed at any time the need arises.

ZONA™ Glass wall systems

DOOR OPTIONS



SLIM 1" THICK
LOCKING & NON-LOCKING
LADDER PULL



STANDARD 1 3/4" THICK
LOCKSET & LEVER
LADDER PULL



ACOUSTIC 2 1/4" THICK
DOUBLE GLAZED
LOCKSET & LEVER



WIDE FRAME 1 3/4" THICK
EGRESS HARDWARE
SECURITY CONTROLS



WOOD 1 3/4" & 2 1/4" THICK
CUSTOM VENEERS
AND FINISHES

ZONA™ Glass wall systems

HARDWARE OPTIONS

DECORATIVE HARDWARE from the manufacturer of your choice



MANUFACTURERS

- ✓ ROCKWOOD
- ✓ T-CONCEPTS
- ✓ PBA
- ✓ ASSA ABLOY
- ✓ SARGENT
- ✓ CORBIN RUSSWIN
- ✓ BALDWIN
- ✓ IVES
- ✓ EMTEK
- ✓ HAFELE
- ✓ DORMAKABA
- ✓ CR LAURENCE

..... and more



ZONA™ Glass wall systems

FINISHES



METAL frames can be produced in a variety of anodized and powder coated RAL Finishes.



GLASS panels can incorporate a variety of glass types from 1/4" to 5/8" thickness

- ✓ Clear Tempered / Laminated
- ✓ Low Iron Tempered / Laminated
- ✓ Acoustical Laminate Interlayer
- ✓ Etched Glass
- ✓ Smart Glass / Switch Glass
- ✓ Specialty Glass
- ✓ Art Glass



ZONA™ Glass wall systems

CUSTOM CAPABILITIES

Tackling design challenges in partnership with the A&D community is our greatest source of inspiration and satisfaction. It is how we stay tuned-in to market trends and focused on customer needs.

Our Product Development Lab in New Jersey is stocked with raw materials, machinery and great engineering capabilities. This is where we continuously test and improve our products, and a place where an architect's imagination can come to life.

Bring us your vision and we will put our resources on it. Our lab can produce prototypes, test concepts, and build full size mock-ups for your review. From concept to reality, we find solutions to tough design challenges that do not lend themselves to solutions found in catalogs and websites.



ZONA 1 sliding door office front



- Black anodized aluminum
- Single glazed
- Framed glass sliding door
- Butt-glazed ½" low iron glass
- Vertical dividers
- Ladder pulls 36"
- ADA compliant distraction film
- Horizontal mullions available



ZONA 1 pivot door office fronts



- Clear anodized aluminum
- Single glazed
- Butt Glazed ½” Clear Glass
- Vertical dividers
- Framed swing doors
- Ladder pulls 48”
- ADA compliant film



ZONA 1 fixed office front and 5-panel telescopic



- Clear anodized aluminum
- Single glazed
- Butt Glazed ½” Clear Glass
- Vertical dividers
- Framed swing doors
- Ladder pulls 48”
- ADA compliant film



ZONA 1 telescopic system with lead pivot door



- Clear anodized aluminum
- Single glazed 1/2" clear
- Recessed track
- Laminated Glass
- Framed swing doors
- Ladder pull 48" ADA compliant



ZONA 1 private offices



- PowderCoated aluminum
- Single glazed 1/2" clear
- 60" Ladder Pull
- Laminated Glass
- Framed swing doors
- ADA compliant



ZONA 2 office fronts with ADA compliant doors



- Single glazed
- Black anodized aluminum
- Pivot ADA compliant doors
- 1/2" clear laminated glass
- Industrial sash
- Mitered glass corners
- Room scheduler



ZONA 2 meeting room with sliding doors



- Single glazed
- Black anodized aluminum
- 1/2" clear tempered glass
- Sliding doors
- Mitered glass corners



ZONA 2 office fronts with mitered glass corners



- Single glazed
- Black anodized aluminum
- 1/2" clear laminated glass
- Butt glazed glass panels
- Mitered glass corners



ZONA 2 office fronts with laminated panels & wood doors



- Clear anodized aluminum
- Laminate panels
- Clear glass clerestory
- Natural maple veneer doors
- Keyless mortised lockset
- 4 ½' x 4 ½" bearing butt hinges



ZONA 2 office fronts with horizontal sash



- Black anodized aluminum
- 1/2" tempered glass
- Clear glass clerestory
- Office function lockset
- Pivot door
- Applied sash



ZONA 3 acoustic glass partition with remote stacking



- Black anodized aluminum
- Panelized sliding system
- Double glazed
- (2) layers 3/8" clear glass
- Lead glass pivot door



ZONA 3 office front system with butt hinged doors



- Double glazed
- Black anodized aluminum
- (2) layers 3/8" low iron glass
- Framed glass swing door
- Keyed mortised locksets
- 4 1/2 x 4 1/2" bearing butt hinges
- Double sound seals



ZONA 4 acoustic glass partition w/corner post & fixed return door



- Double glazed
- Black anodized aluminum
- (2) layers 3/8" low iron glass
- Lead panel pivot door
- Stacking glass panels
- Framed glass swing door
- Keyed mortised lockset

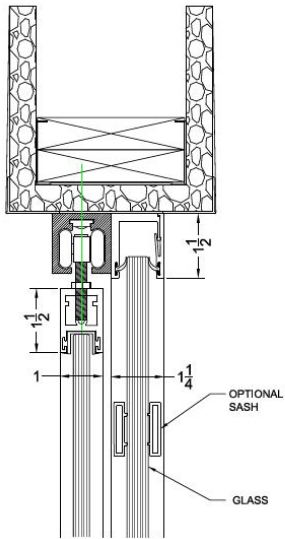


ZONA CUSTOMIZED SECURED ENTRIES

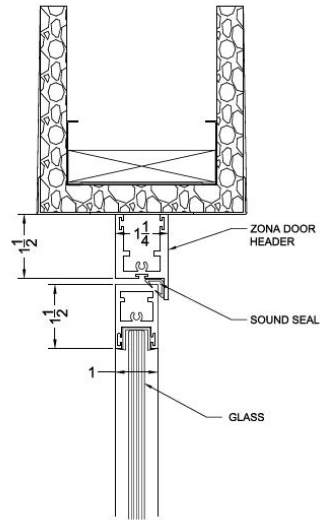


ModernfoldStyles, Inc.
15 Empire Boulevard
South Hackensack, NJ 07606 Tel 1-800-401-0511
ppetsios@modernfoldstyles.com
www.zonaglasswallsystems.com

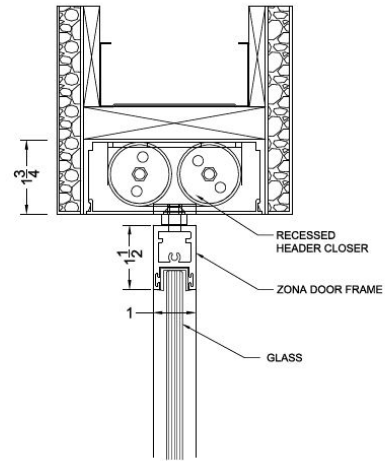
ZONA DOOR APPLICATIONS



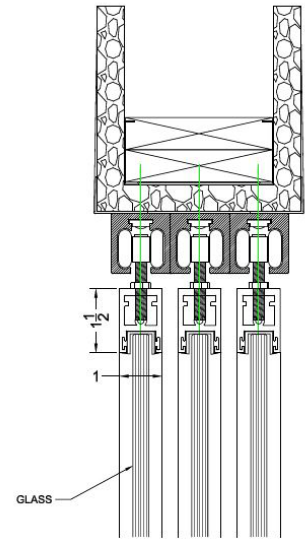
○ SLIDING DOORS



○ FREE SWING DOOR



○ CONCEALED HEADER CLOSER



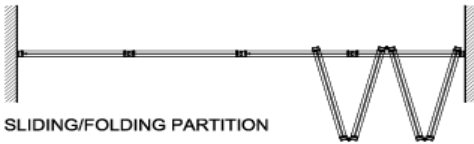
○ TELESCOPIC

ZONA Glass wall systems

BASIC FOLDING CONFIGURATIONS



SLIDING CENTER FOLD PARTITION



SLIDING/FOLDING PARTITION



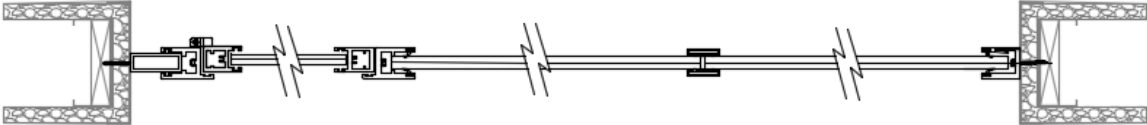
TELESCOPIC PARTITION



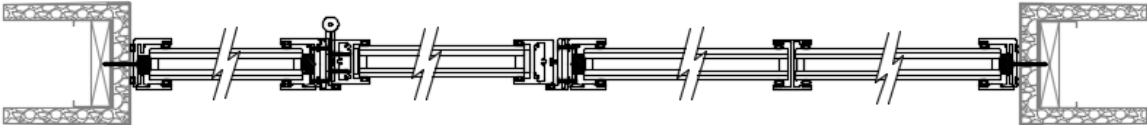
SLIDING 90 DEGREE STACKING PARTITION

ZONA moving walls are customized to your needs. Using ZONA 1 or ZONA 3 panels on a concealed track system, these panels maintain the same $1\frac{1}{2}$ " profile used for the demountable systems, maintaining alignments when used in conjunction with demountable glass office fronts.

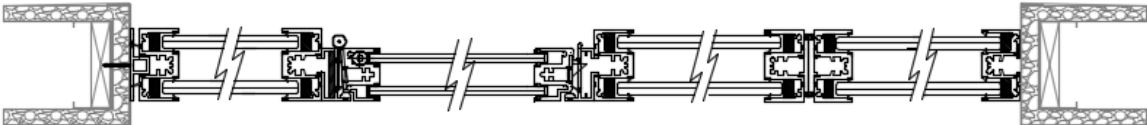
ZONA TYPICAL SECTIONS



ZONA 1 - HORIZONTAL SECTION



ZONA 2 - HORIZONTAL SECTION



ZONA 3 - HORIZONTAL SECTION



TM

ZONA Glass wall systems

802 King Avenue

Cherry Hill, NJ 08003

1.800.401.0511

<http://zonaglasswallsystems.com>

info@zonaglasswallsystems.com